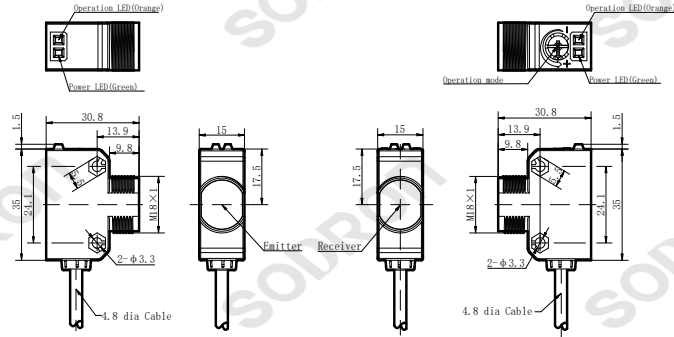




Dimensions



Model

PT18V-T□B□WR(E)

Technical parameters

Detection method Through beam

Model	NPN	PT18V-T10BNWR(E)	PT18V-T20BNWR(E)
	PNP	PT18V-T10BPWR(E)	PT18V-T20BPWR(E)

Sensing distance 10m(Distance Adjustable) 20m(Distance Adjustable)

Product features

- Through-beam type, red light 620nm
- Detection distance adjustable
- IEC IP65

Standard sensing object > Φ7mm(Opaque object)

Output mode Light-ON/Dark-ON wire switching

Light source Red LED 620nm

Power supply voltage DC 12 ~ 24V ±10% , impulse (P-P) < 10%

residual voltage < 2V (Load Current: ≤100mA)

Current consumption Transmitter < 15mA; Receiver < 10mA

Load current ≤100mA

Circuit protection Power reverse direction connection protection

Response time < 1ms

Indicator light Output LED: Orange LED Power/stable: GreenLED

Connection Cable 2m (PVC)

Ambient temperature Work: -25 ~ +55°C; Store: -40 ~ +70°C, (No dew condensation or icing allowed)

Ambient humidity Work: 35 ~ 85%RH, Store: 35 ~ 95%RH, (No dew condensation)

Ambient illumination Sunlight: <10,000Lx lamplight:<3,000Lx

Withstand voltage 1000 VAC, 50/60 Hz, 1 min.between current-carrying parts and case

Insolation resistance > 20MΩ (DC500V megger) between current-carrying parts and case

Anti-vibration 10~55Hz double-amplitude 1.5mmX,Y,Z 2h

Impact resistance 500 m/s² (X, Y, Z directions, 3 times)

Protection degree IEC IP65

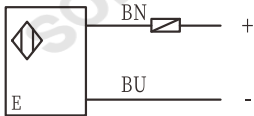
Housing PBT+ABS

Material Lens Holder ABS

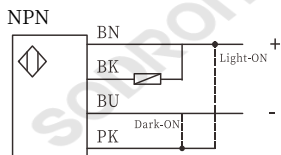
Lens PMMA

Connection

Transmitter



Receiver



PNP

